

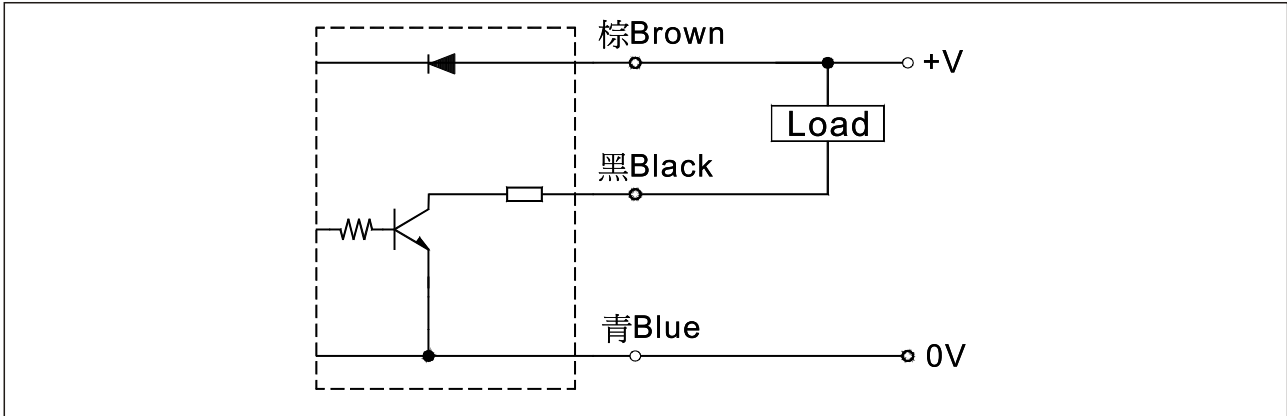
- Limited sensing distance
 - Mini-plate outline
 - Mirror interruption immunized
- EX-03N less than 100 mm
EX-07N less than 200 mm



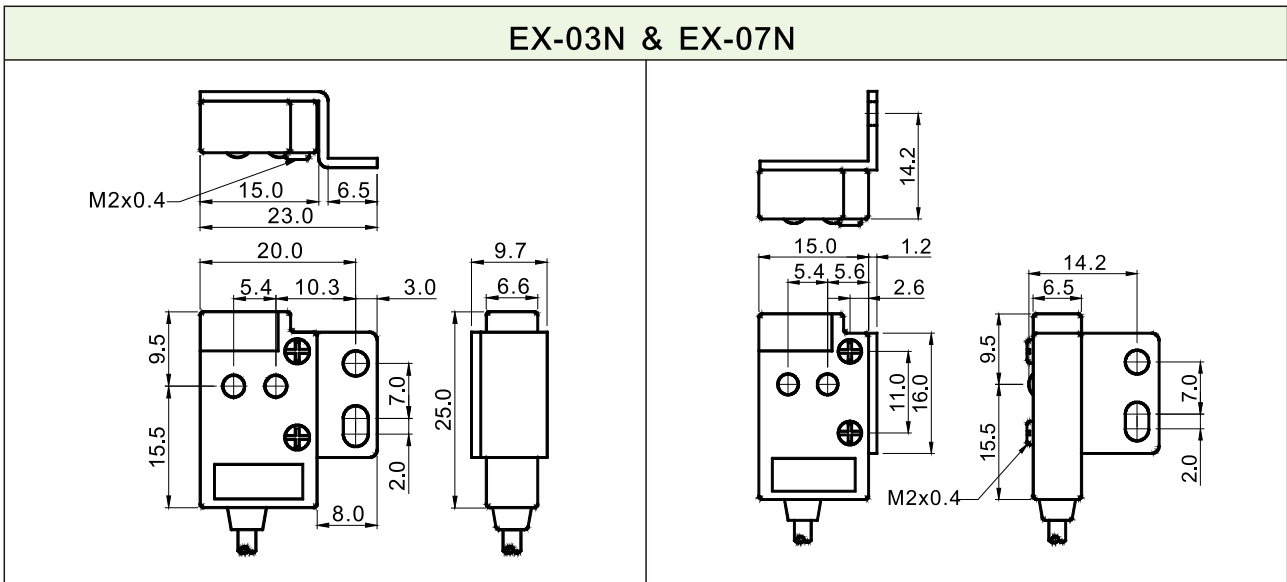
◆ General Specification / 共同規格

Model	型號	EX-03N	EX-07N
Sensing distance	檢測距離	25.0 mm	50.0 mm
Emitter	發射光源	Red LED	Infrared LED
Response time	應答時間	1.0 ms max.	
Operating voltage	工作電壓	10 ~ 30VDC	
Ripple of power	電源漣波	20% peak to peak	
Current consumption	耗電流	15 mA max.	
Output method	輸出方式	NPN open collector	
Output current	輸出電流	150mA max.	
Pilot LED	指示燈	Green : Power pilot ; Yellow : Operating pilot	
Output Status	輸出狀態	Standard : NO ; Appended with 「B」 : NC	
Residual voltage	殘留電壓	0.1V max.	
Leakage current	洩露電流	0.8mA max.	
Protection circuit	保護電路	Short circuit & polarity reversed protection	
Housing material	外殼材質	Intensive PBT	
Illumination	耐外亂光	Lamp light < 10,000Lux ; Sunlight < 20,000Lux	
Noise resistance	抗干擾	2kv/1μs	
Dielectric strength	電介強度	2.5kv / 1 minute min.	
Insulation strength	絕緣強度	100 MΩ / 500vdc	
Operating circum.	工作環境	-25°C ~ +80°C ; 35% ~ 85% RH	
Protection class	保護等級	IP-65	
Approval	認證	CE / Rohs	

◆ Output circuit & Connection diagram / 輸出回路及接線圖



◆ Dimension / 外形尺寸圖



◆ Fixed bracket / 固定架

